

Name : _____

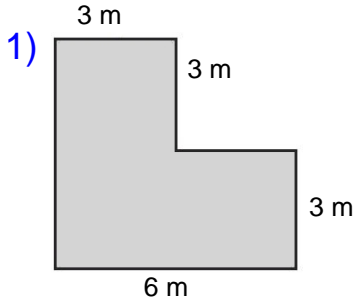
Score : _____

Teacher : _____

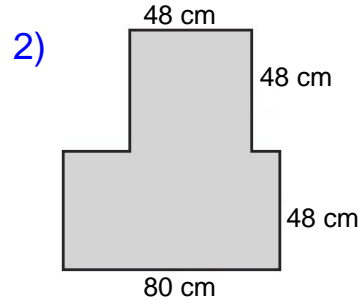
Date : _____

Compound Shapes

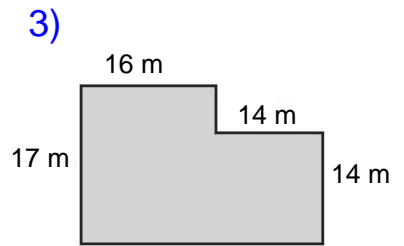
Find the area of each figure, round your answer to two decimal places if necessary.



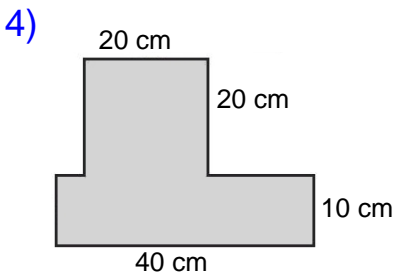
Area: _____



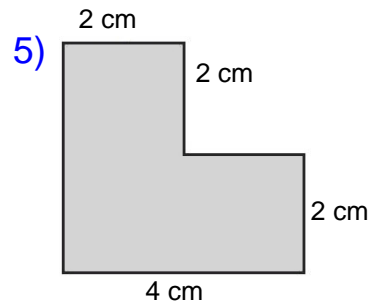
Area: _____



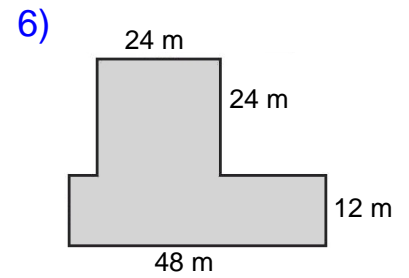
Area: _____



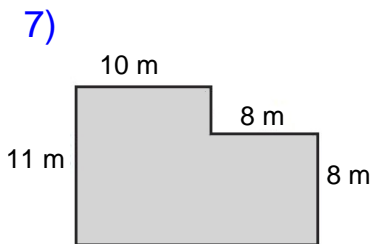
Area: _____



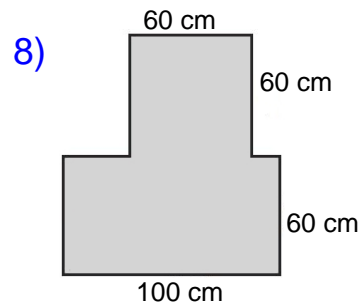
Area: _____



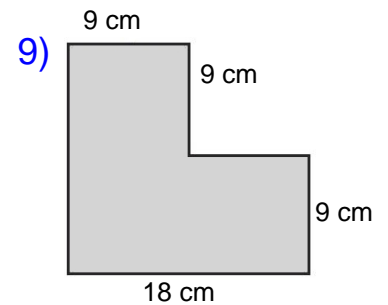
Area: _____



Area: _____



Area: _____



Area: _____

Name : _____

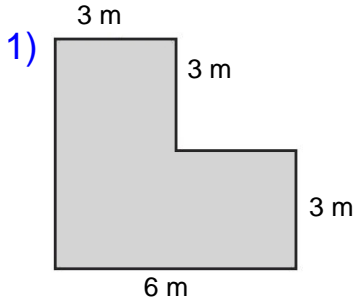
Score : _____

Teacher : _____

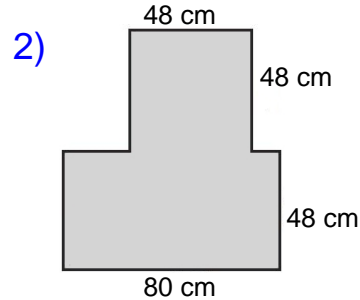
Date : _____

Compound Shapes

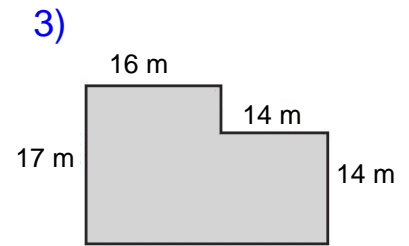
Find the area of each figure, round your answer to two decimal places if necessary.



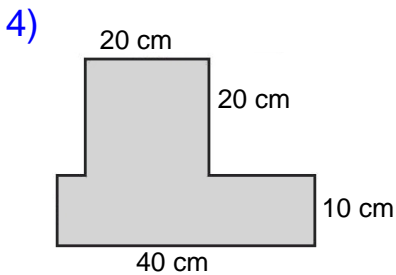
Area: 27 m²



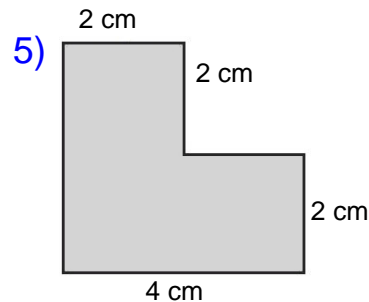
Area: 6144 cm²



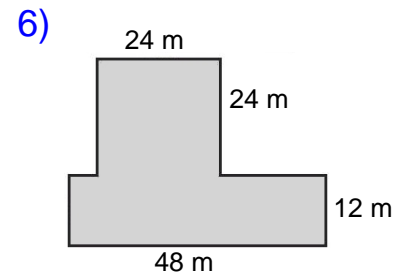
Area: 468 m²



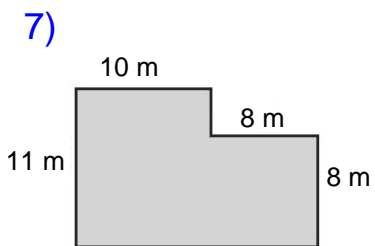
Area: 800 cm²



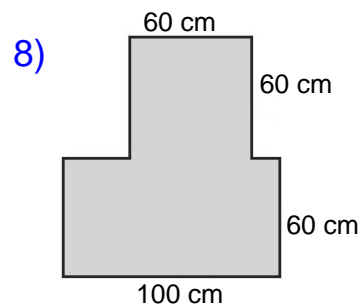
Area: 12 cm²



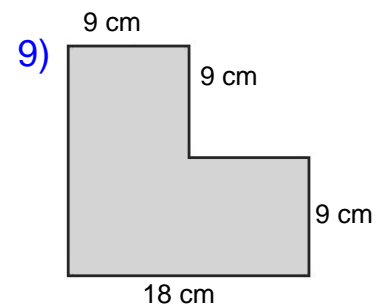
Area: 1152 m²



Area: 174 m²



Area: 9600 cm²



Area: 243 cm²